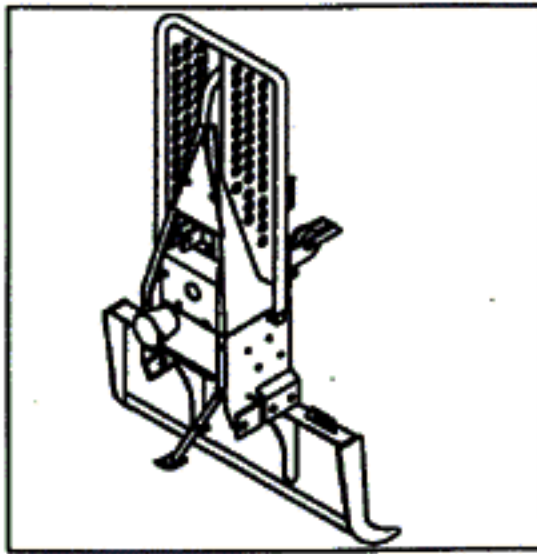


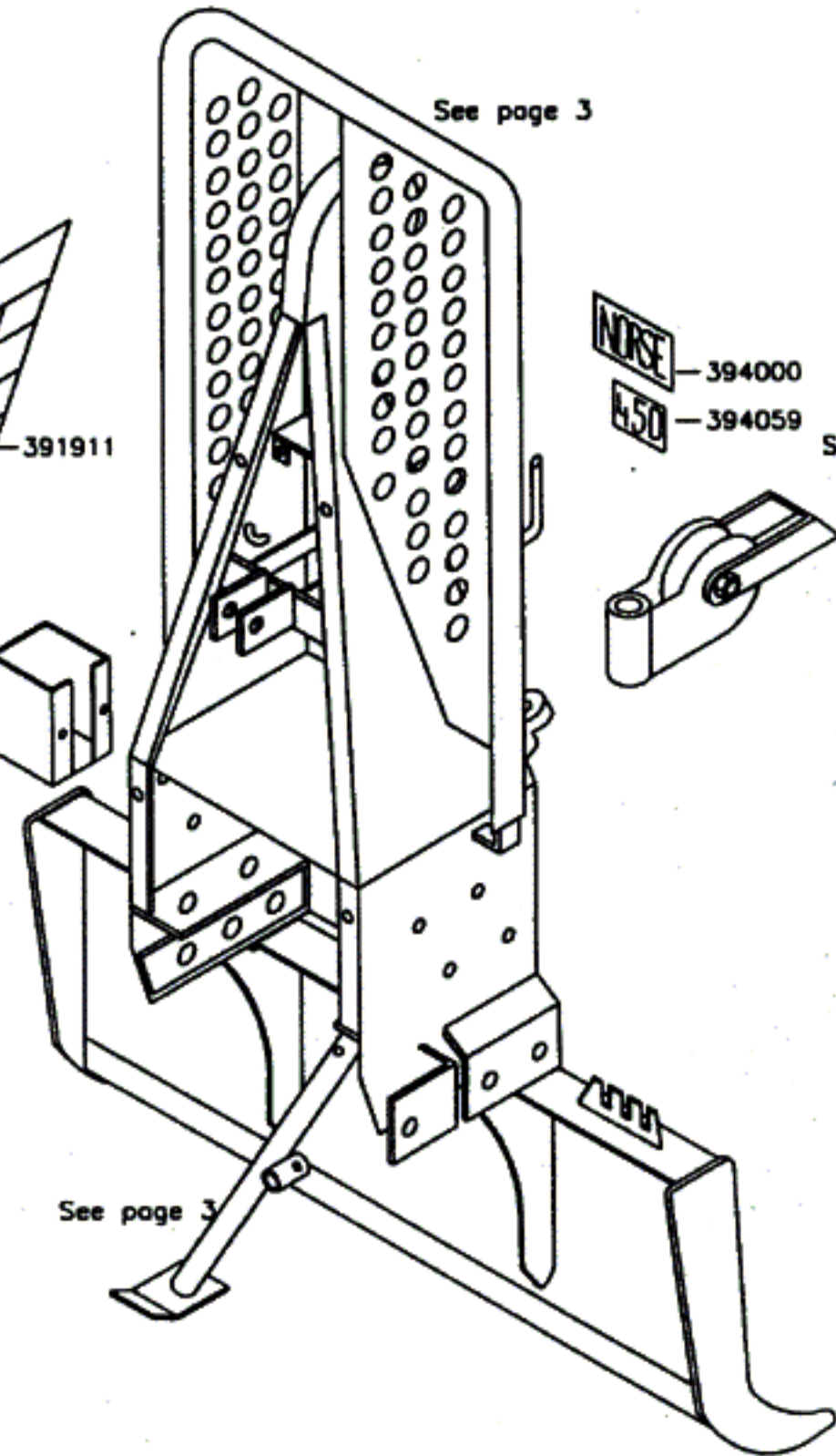
NORSE 450 BODY



GENERAL INFO

This Parts Catalogue consists of 6 pages.
This Catalogue: P/N 395010

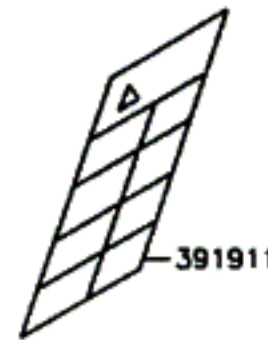
- © IGLAND AS
- Gjengivelse av tekst og tegninger uten tillatelse forbudt.
 - Reproduction of text or illustrations without permission is prohibited.
 - Eine Wiedergabe von Texten und Zeichnungen ohne unsere Genehmigung ist nicht gestattet.
 - Interdiction de toute reproduction de textes ou d'illustrations sans autorisation préalable.



See page 3

NORSE 394000
450 394059

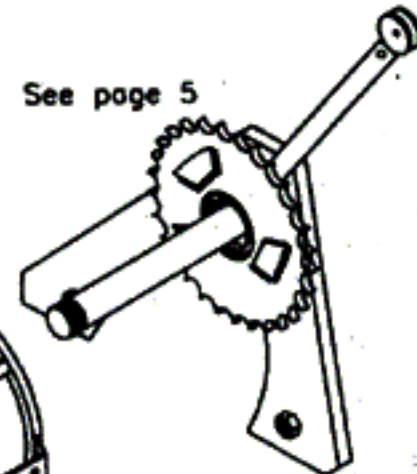
See page 2



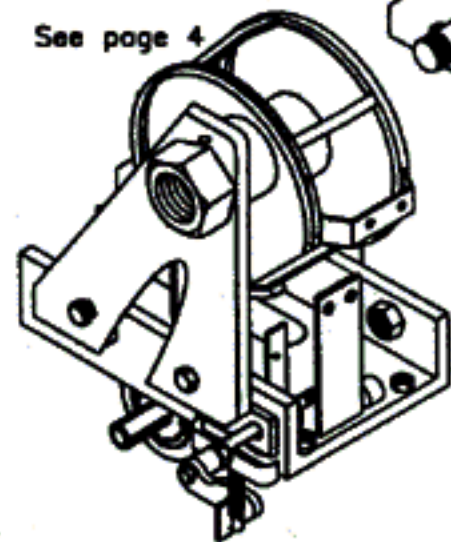
391911

See page 5

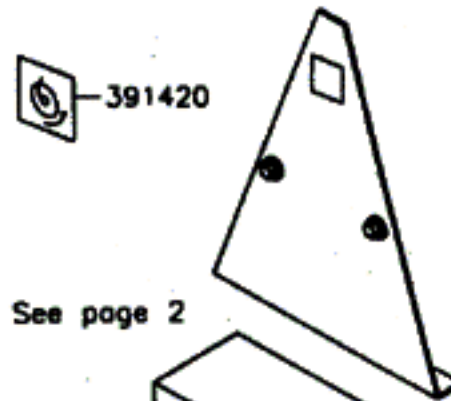
See page 2



See page 5

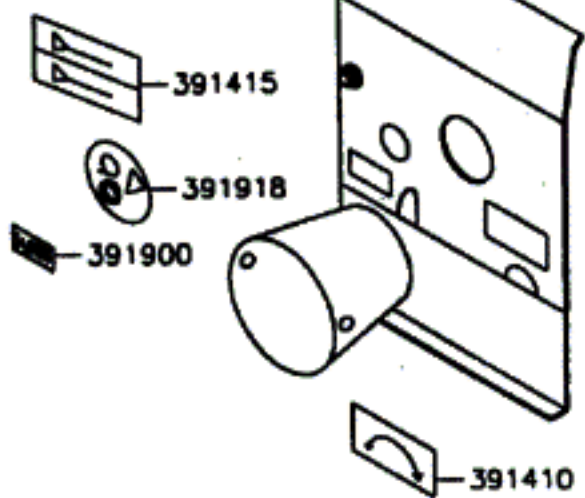


See page 4



391420

See page 2



391415

391918

391900

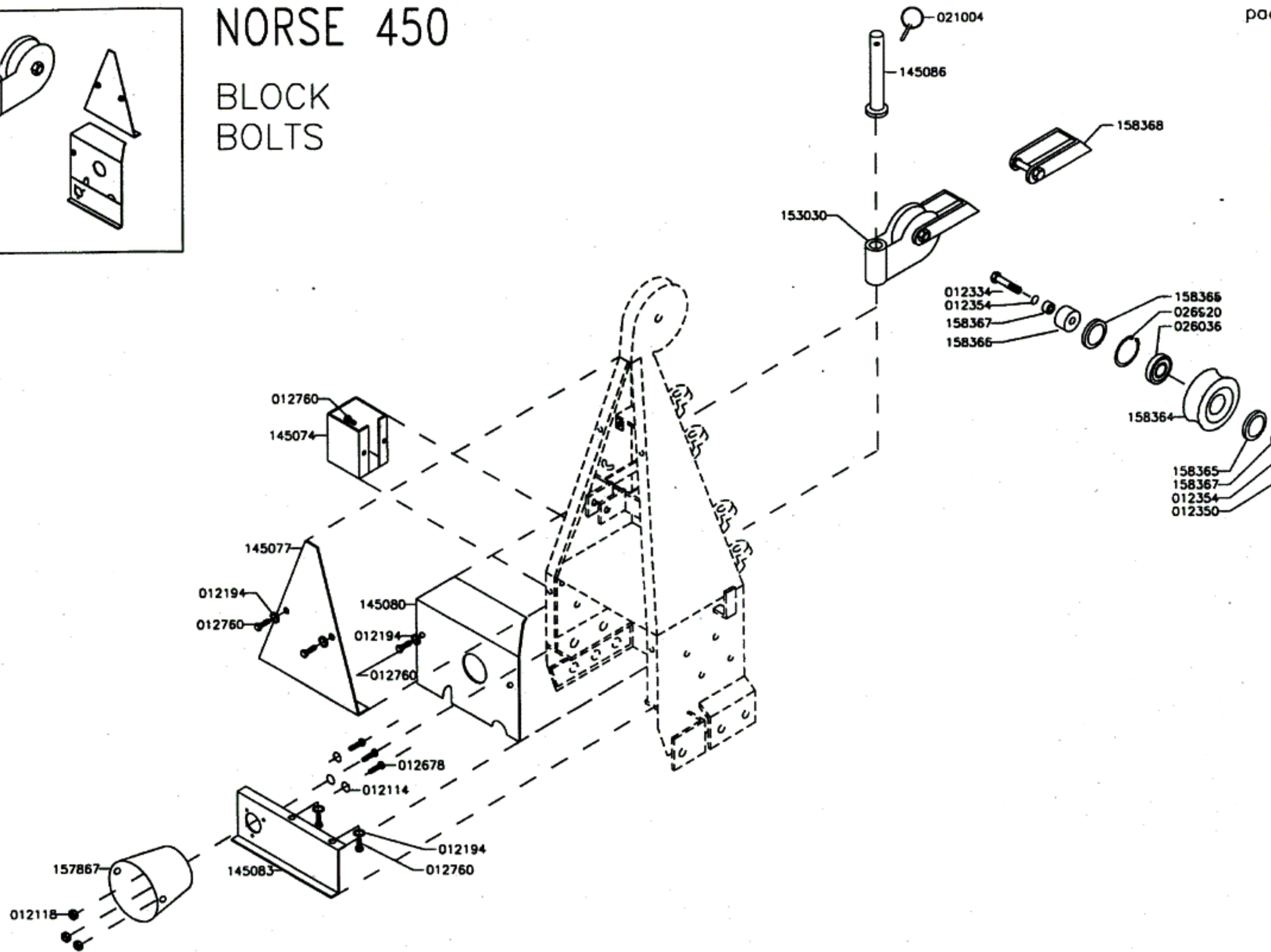
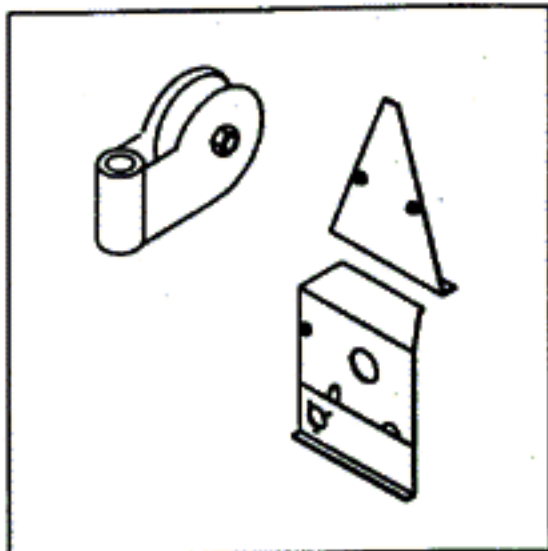
391410

*This winch uses a
2300 PTO*

Approved: <i>W.G.</i>	Revised:
	Issued: T.K. 21.03.01

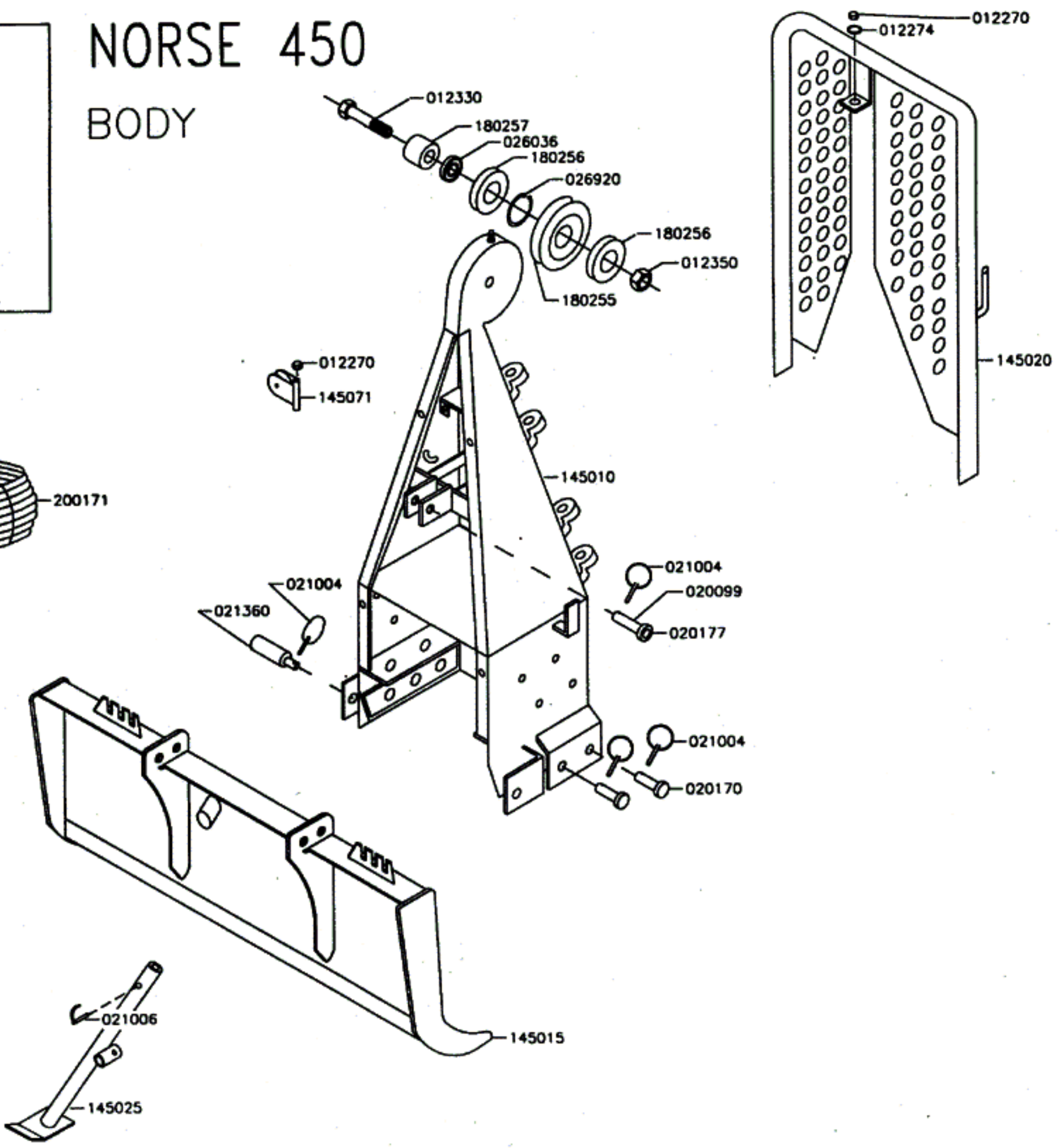
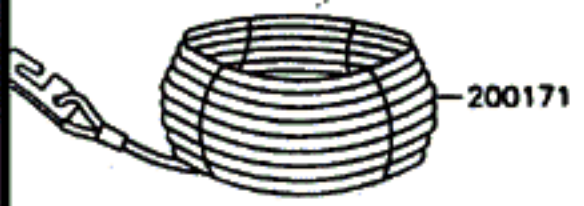
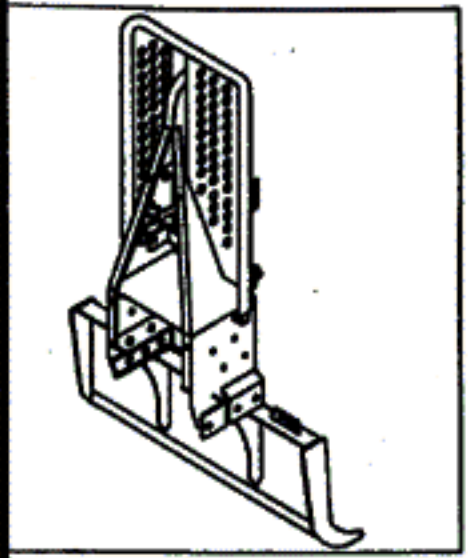
NORSE 450

BLOCK BOLTS



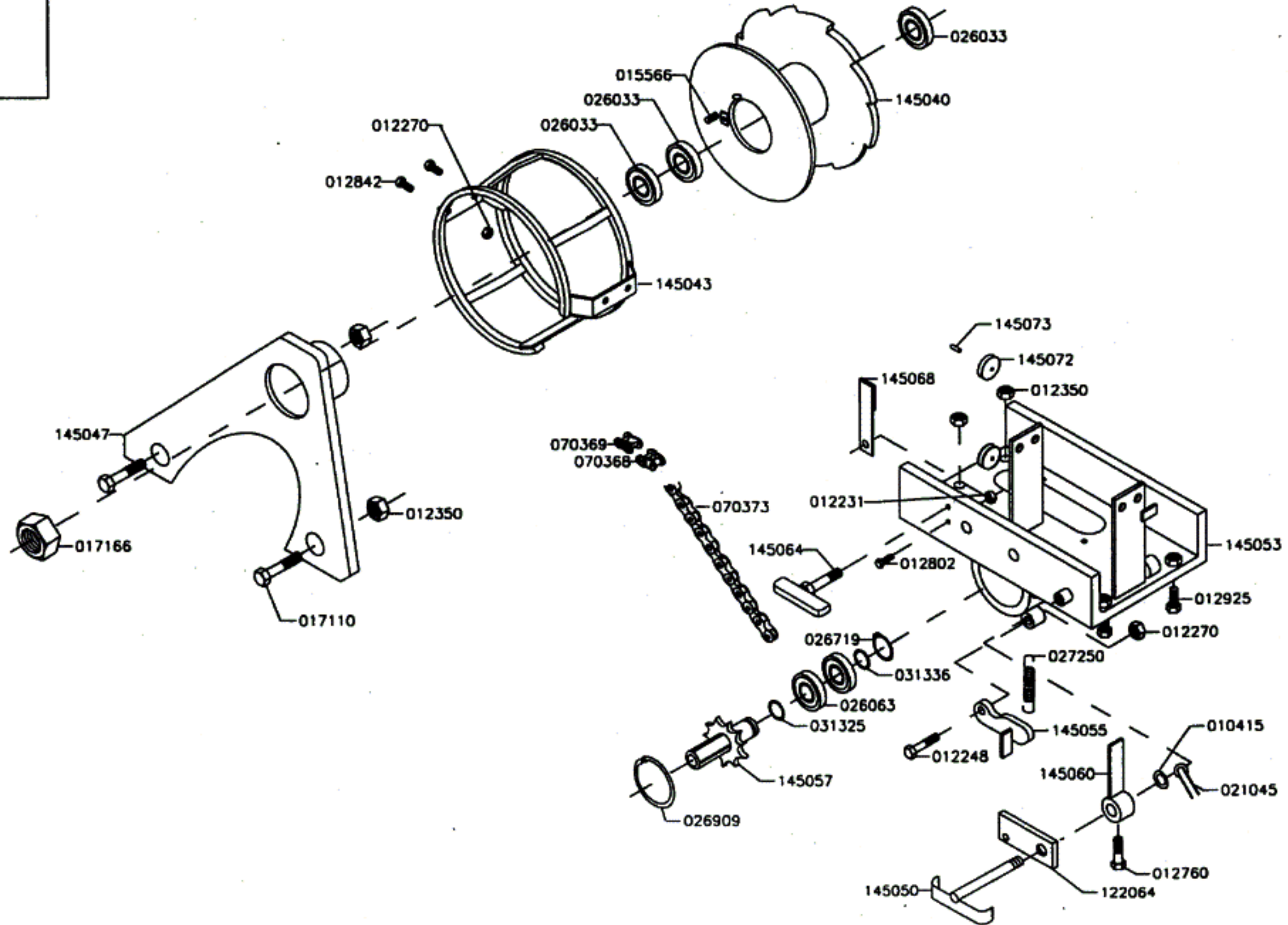
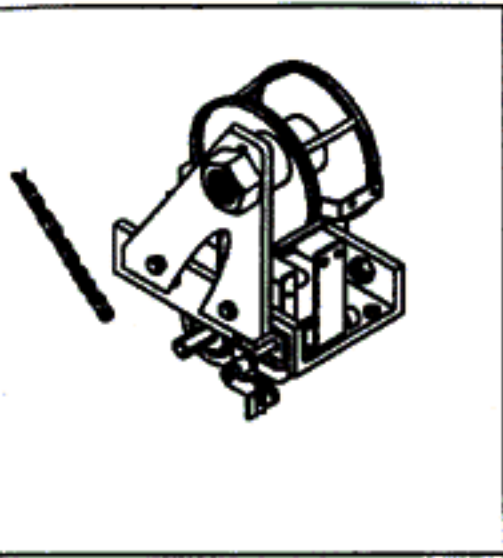
NORSE 450

BODY



NORSE 450

DRUM



NORSE 450

DRUM

