

Formek a/s

The NORSE 2500 is small and inexpensive, but has nevertheless most of the features of it's bigger brothers:

- Swivelling top- and center pulleys designed for the use of cable sliders and choker chains to winch in scattered logs.
- Wire rope brake to avoid «backlash».
- Adjustable legs.
- Logging pan (optional) offers increased protection for mechanism and tractor tires. Useful also for bunching and butting logs on the landing. Interchangeable on all NORSE models!
- Telescopic parking leg.

SPECIFICATIONS:

Pulling capacity on first layer:
5510 lbs (2500 kp)

Pulling capacity on last layer:
2700 lbs (1225 kp)

Steel wire rope: 5/16" (8 mm) -
131 feet (40 mts) as standard.

Construction:
6x26 WS+1WRC
Min. breaking load:
9 260 lbs. (4200 kp).

Pulling speed at 540 rpm:
min. 2,1 feet (0,65 mts) per sec.
max. 5,2 feet (1,60 mts) per sec.

Total width: 4 ft. 11 in. (150 cm)
height: 3 ft. 9 in. (115 cm)
depth: 1 ft. 6 in. (46 cm)

Weight (without wire rope): 309 lbs (140 kos).
Weight standard wire rope: 24 lbs (11 kos).

Recommended P.T.O.-shaft: W2100 or ByPy A1.

SemRAS 180 or 250
AUTHORIZED DEALER:

OTHER MODELS:

- NORSE 3081 - the model that quickly became a «bestseller» in the U.S.A. 6615 lbs/3000 kp cable pull, large diameter top- and centre pulleys, easy maintained and simple in operation!
- NORSE 5000 - the «big brother» of the NORSE family - for you who need more pulling capacity: 11025 lbs/5000 kp. Same rugged construction, same easy operation!

NORSE CHOKER EQUIPMENT



CHOKER CHAIN

6.5 ft. (2 mts.) high grade alloy chain -
1/4" (7 mm.) Breaking load 13.225 lbs.
(6.000 kp).

SELF RELEASING BLOCK

SLIDER

For 1/4" and 5/16"
(7 mm and 8 mm.)
choker chain.
Taking up to
5/8" (16 mm)
wire rope.

Caution: A winch and tractor could be dangerous when not operated properly. Study your Owners Manual!

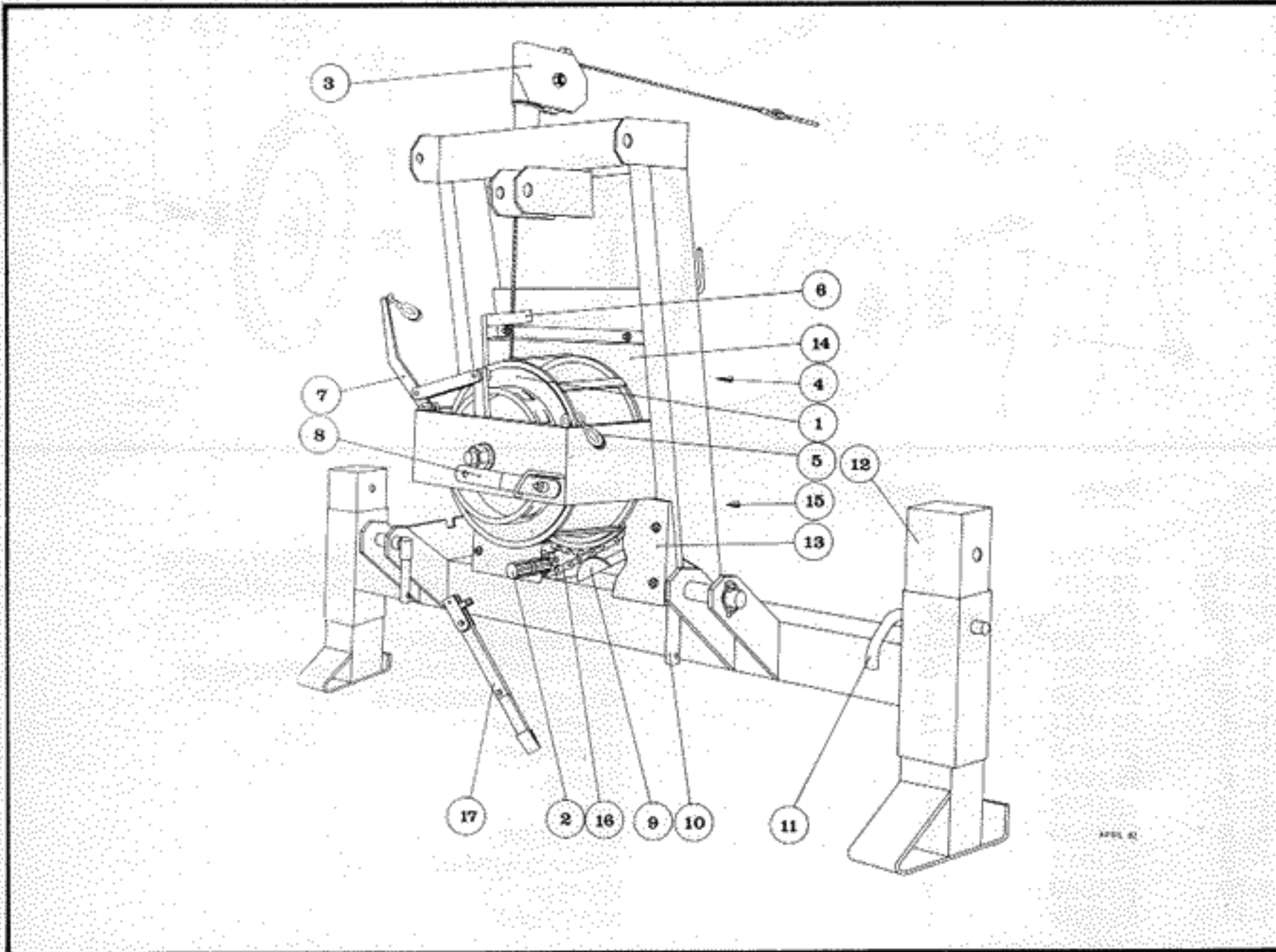
IMPORTER/DISTRIBUTOR:

LABONVILLE
INCORPORATED
R.F.D. #1 BERLIN, N.H. 03570

MANUFACTURER:

Formek a/s

Postaddress/Postal address: P.O. Box 123, N-2160 Ströken
Norway
033/36 320
Telex/Telephone: +47 33 36 300
+47 33 36 300
Telefax: 70645-norse n
+47 33 37 888



Pos.	Part No.	Number	Description
1	—	1	DRIVE UNIT
2	253205	1	Input drive shaft and chain wheel cpl. w/housing
3	253207	1	Top block compl.
4	253313	1	Center block compl.
5	251027	1	Pulley
6	—	1	Wire rope brake
7	251025	1	Lever w/pulley
8	251081	1	Ratchet brake compl.
9	253202	1	Chain tightener
9-1	251001	1	Spring
10	251053	2	Lower link pin w/linch pin
10-1	251517	2	Linch pin 7/16"
11	251095	2	Locking pin
12	251204	2	Adjustable legs
13	253211	1	Lower cover w/screws
14	253212	1	Upper cover w/screws
15	253213	1	Drive shaft cover w/screws
16	253201	1	Chain 5/8" simplex, 69 links
16-1	253206	1	5/8" simplex chain joining link
17	253332	1	Parking leg

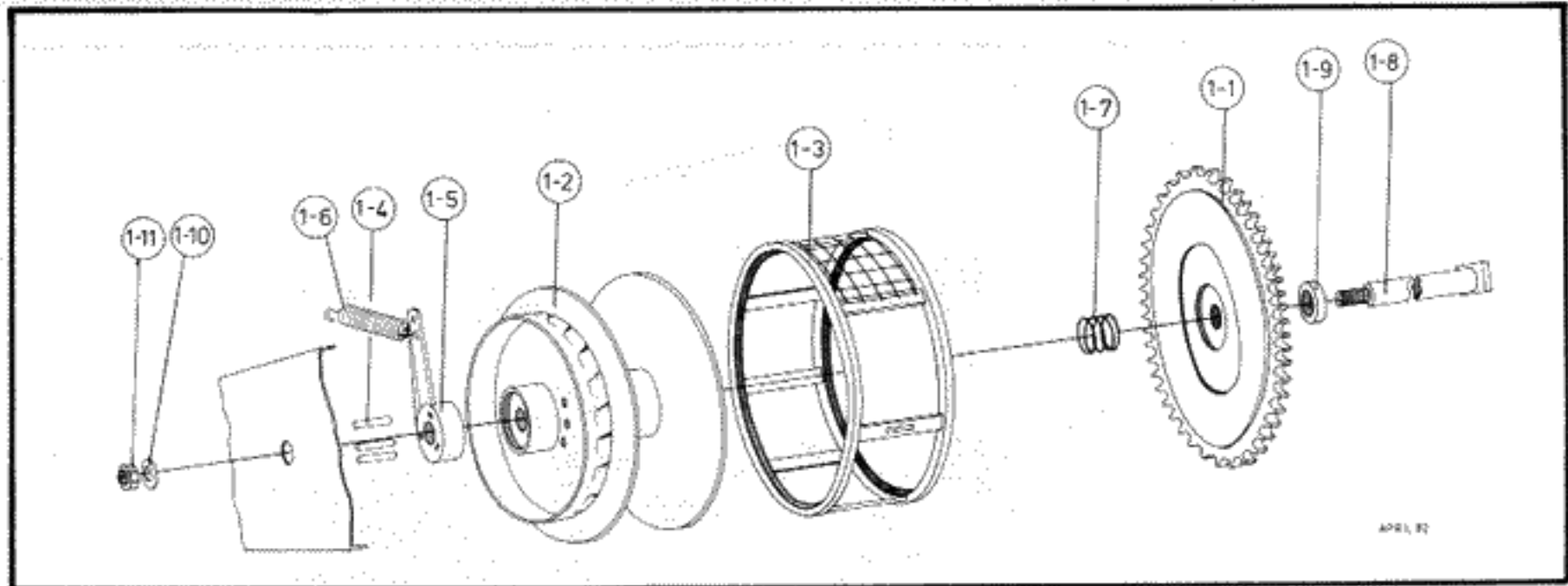
DISTRIBUTOR:

MANUFACTURER:

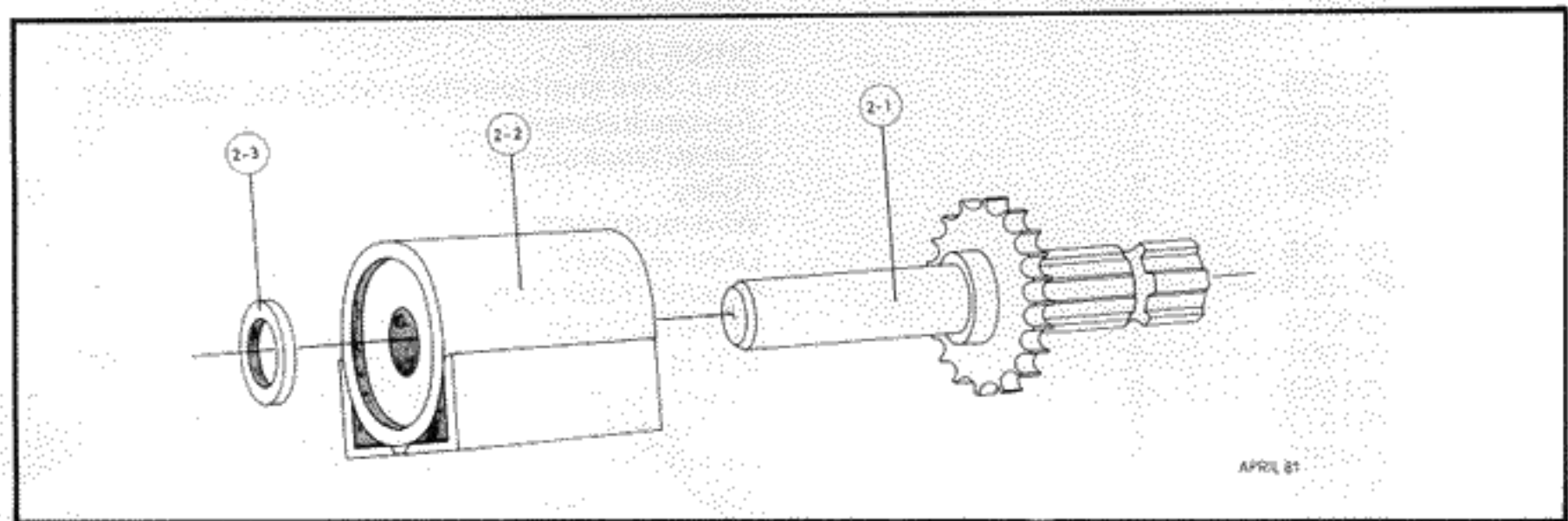


Elkem as
Formek

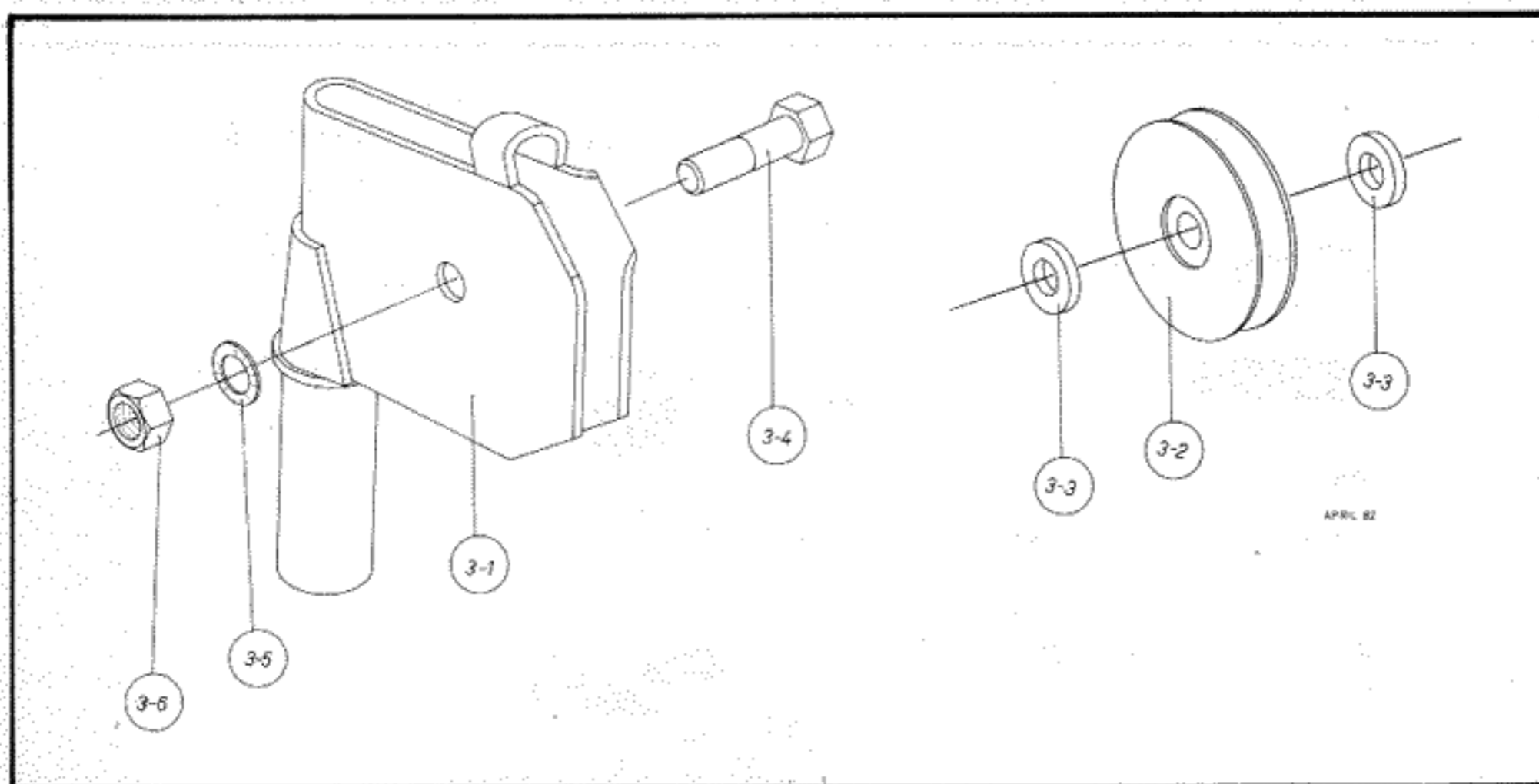
P.O.Box 130
3160 STOKKE, NORWAY
Tel. 033/36 320
Telex 21 648 norske n



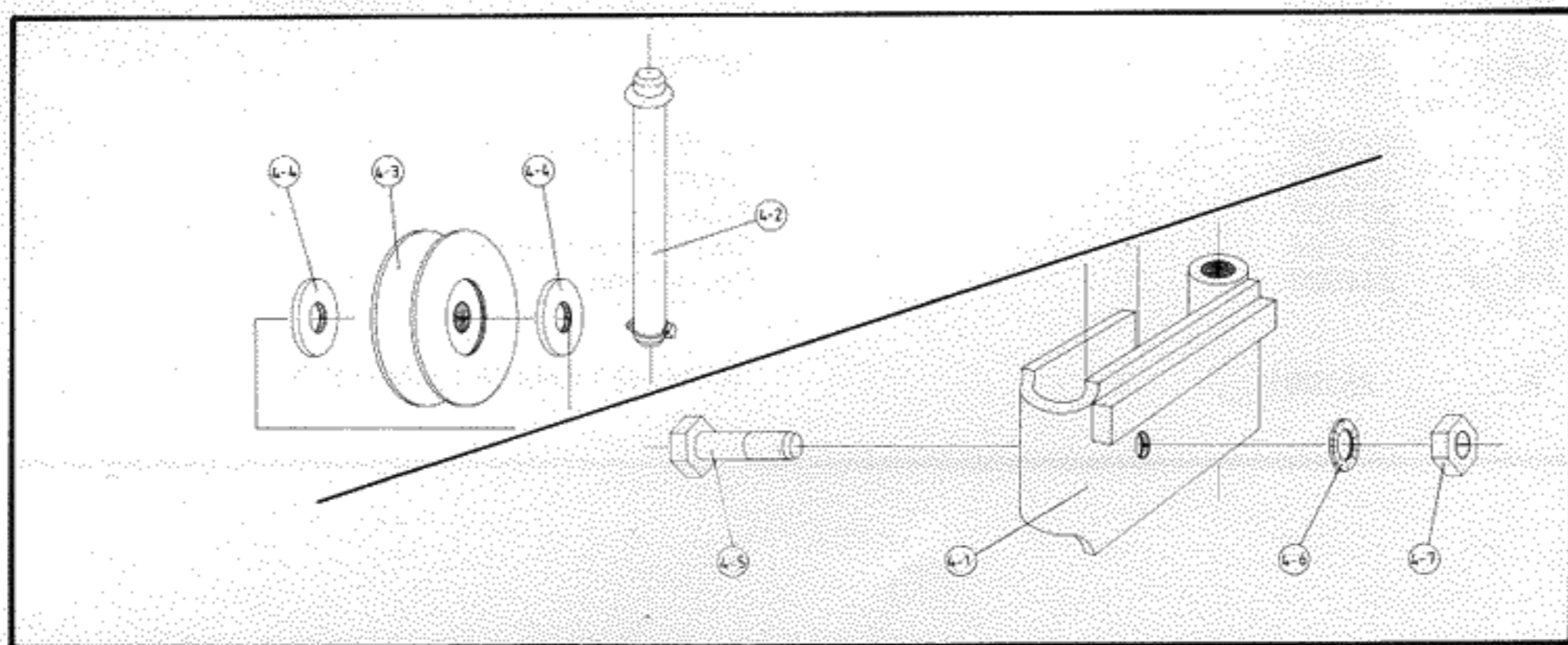
Pos.	Part No.	Number	Description
1	—	1	DRIVE UNIT
1- 1	251059	1	Chain wheel w/bearing and clutch lining
1- 1A	251501	2	Ball bearing 6306 2RS (not illustrated)
1- 1B	251519 or 1001	1	Clutch lining
1- 2	251085	1	Wire drum w/bearing
1- 2A	251501	3	Ball bearing 6306 2RS (not illustrated)
1- 3	251086	1	Wire guard w/screws
1- 4	251081	3	Clutch pins
1- 5	251016	1	Clutch arm
1- 6	251001	1	Spring
1- 7	251525	1	Spring
1- 8	251099	1	Main shaft
1- 9	251011	1	Spacing washer
1-10	251509	1	Washer
1-11	251508	1	Nut 1" UNF



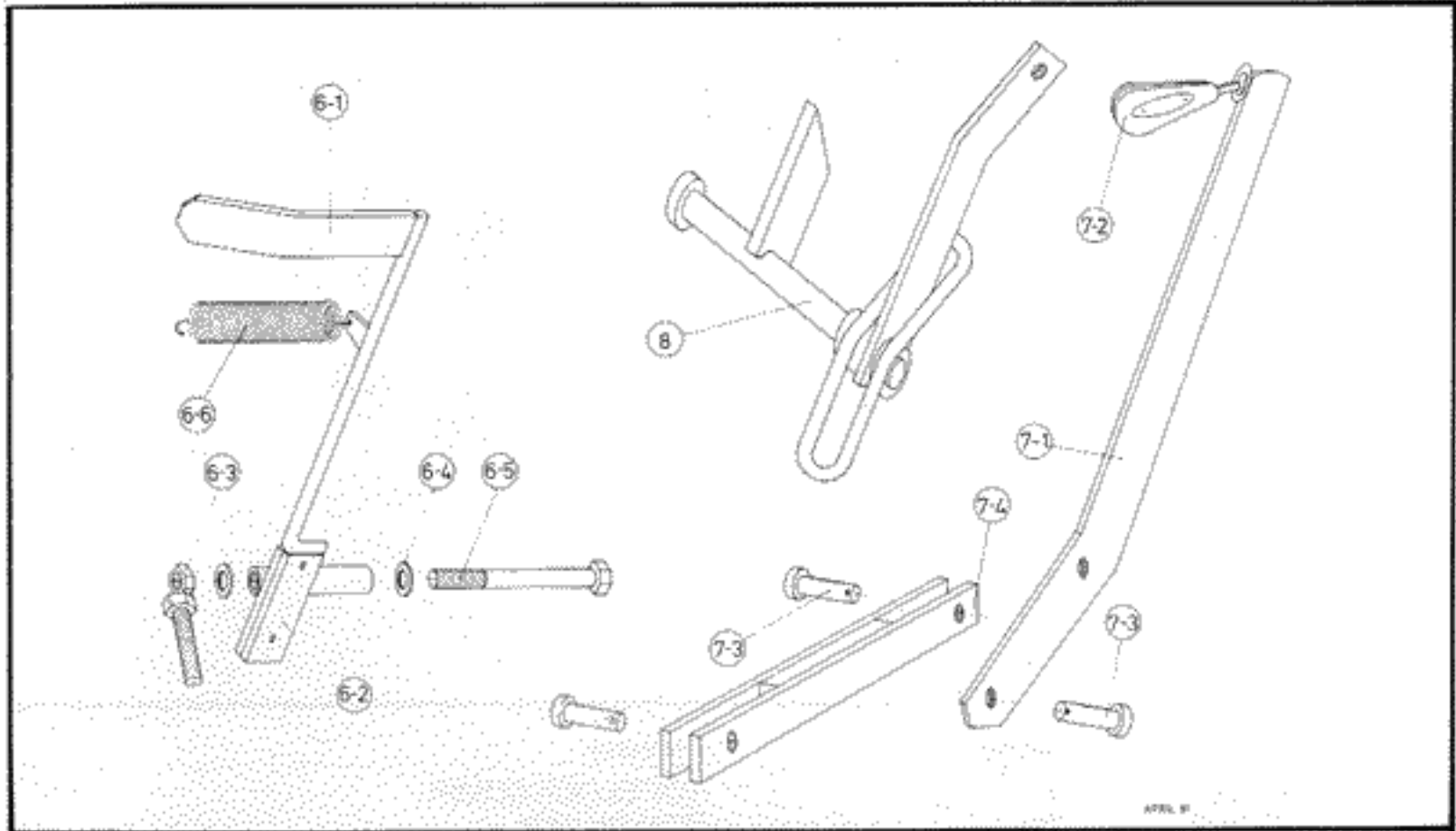
Pos.	Part No.	Number	Description
2	253205	1	INPUT DRIVE SHAFT CPL.W/HOUSING AND BEARINGS
2-1	253203	1	Sprocket w/shaft
2-2	253204	1	Housing w/bearings
2-2A	251501	2	Ball bearing 6306 2RS (not illustrated)
2-3	251052	1	Stop washer (to be welded on)



Pos.	Part No.	Number	Description
3	253207	1	TOP BLOCK COMPL.
3-1	253208	1	Block housing
3-2	251029	1	Block wheel \varnothing 125 w/bearing
3-2A	251506	1	Ball bearing 6304 2RS (not illustrated)
3-3	251075	2	Spacing washer
3-4	251527	1	Hexagonal bolt w/washer and nut
3-5			
3-6			



Pos.	Part No.	Number	Description
4	253313	1	CENTER BLOCK COMPL.
4-1	251002	1	Block housing
4-2	253311	1	Mounting pin w/linch pin
4-2A	251516	1	Linch pin $5/16$ "
4-3	251004	1	Block wheel \varnothing 100 w/bearing
4-3A	251503	1	Ball bearing 6303 2RS (not illustrated)
4-4	251006	2	Spacing washer
4-5	251504	1	Hexagonal bolt w/washer and nut
4-6			
4-7			



Pos.	Part No.	Number	Description
6	—	1	WIRE ROPE BRAKE
6-1	251082	1	Brake w/lining
6-2	251083	1	Brake lining w/rivets
6-3	251084	1	Mounting bolt
6-4	251536	1	Hexagonal bolt M12 x 90 w/washer
6-5			
6-6	251001	1	Spring
7	251025	1	LEVER W/PULLEY
7-1	253333	1	Lever
7-2	251027	1	Pulley
7-3	251024	3	Clevis pin w/split pin
7-4	251022	1	Connection
8	251081	1	RATCHET BRAKE COMPLETE